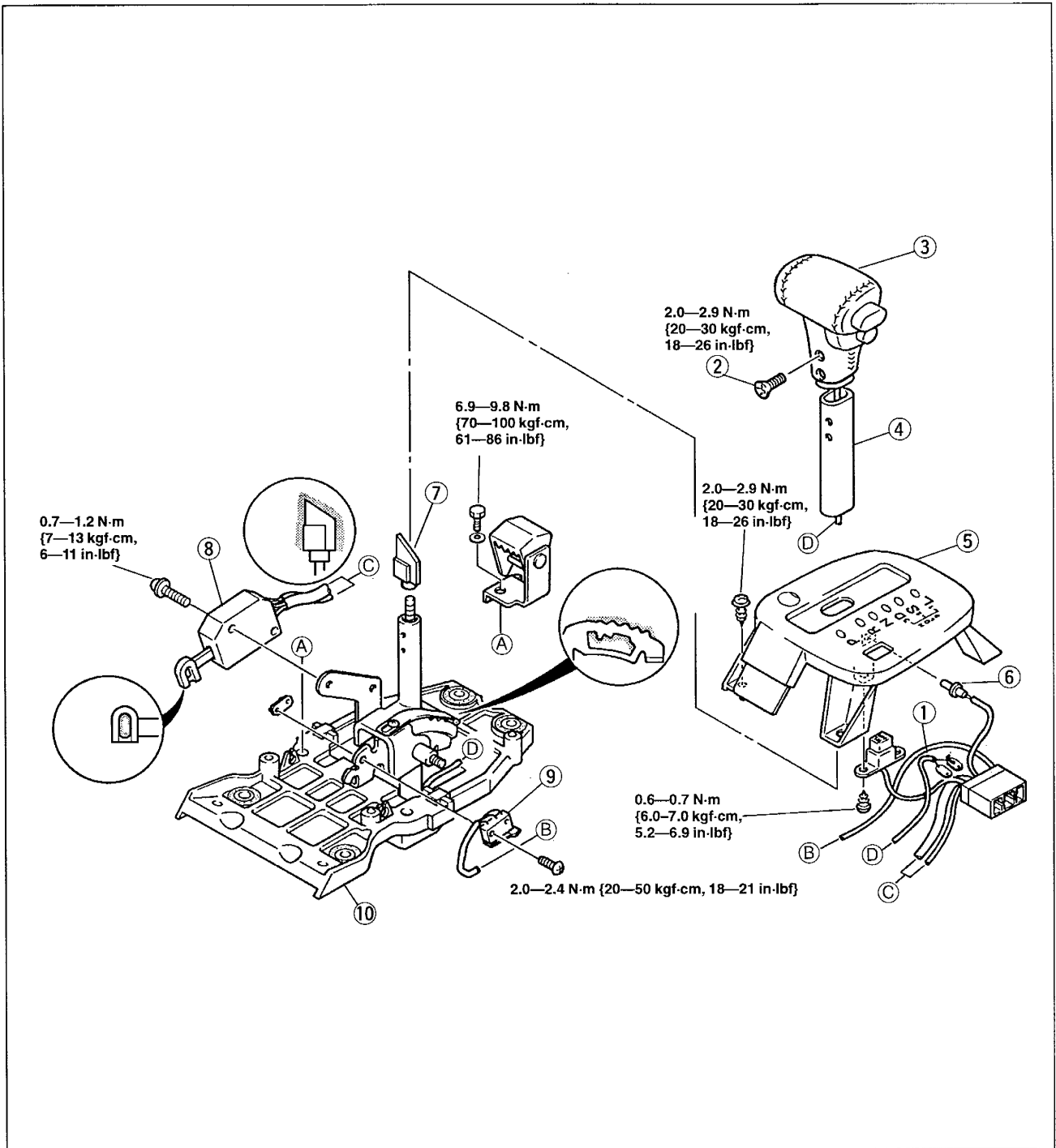


**Disassembly / Inspection / Assembly**

1. Disassemble in the order shown in the figure, referring to **Disassembly Note**.
2. Assemble in the reverse order shown in the figure, referring to **Assembly Note**.



16U0K1-534

- |  |  |
|--|--|
| 1. Connector<br>Disassembly note . . . . . page K1-50    | 7. Cam<br>Assembly note . . . . . page K1-50               |
| 2. Screws  | 8. Shift-lock actuator<br>Inspection . . . . . page K1-44  |
| 3. Selector lever knob                                   | 9. Park position switch<br>Inspection . . . . . page K1-43 |
| 4. Cover   | 10. Selector lever   |
| 5. Indicator panel<br>Assembly note . . . . . page K1-50 |  |
| 6. Position indicator light                              |  |