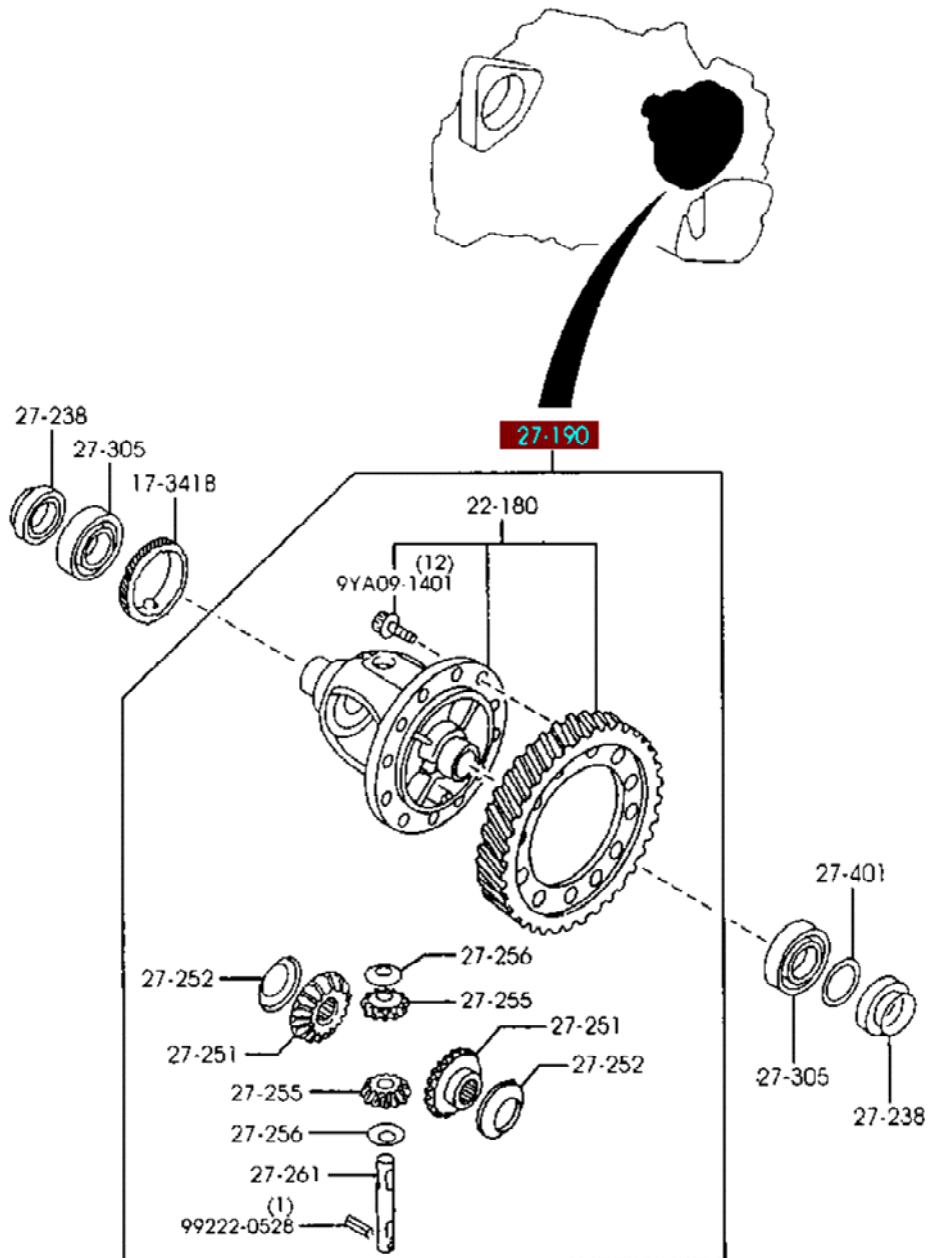


Modell/Jahr: XEDOS-9 1998

Abschnitt: 2700 VORDERESAUSGLEICHSGETRIEBE (SCHALTGETR.)



(1T03440)

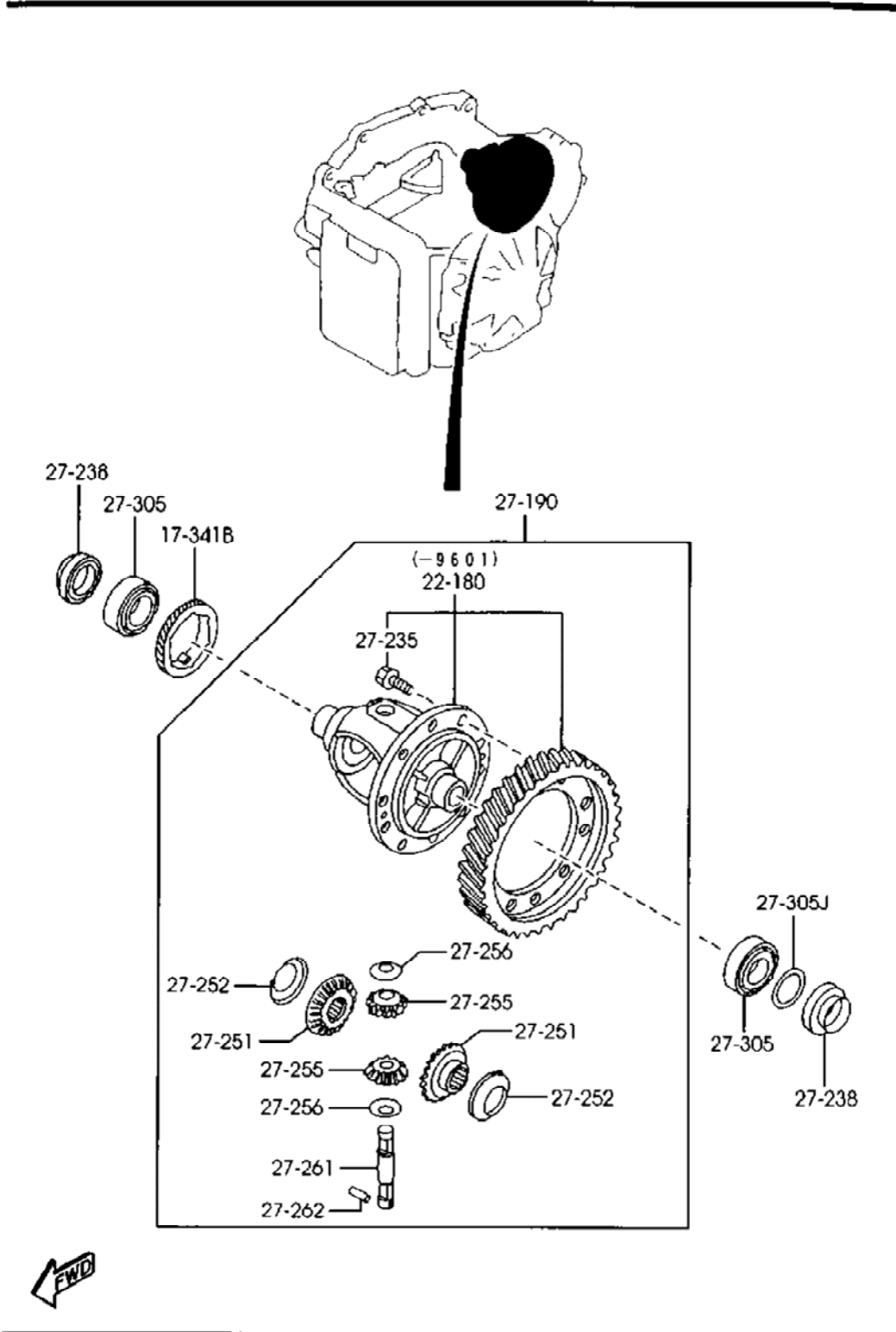
| D-Code | Teilename | MGE | Info. | Supersession | Preis |
|--------------|---------------------------|-----|-------|--------------|-------|
| Teilnr. | Beschreibung | | | | |
| 17-341B | TACHOMETERANTRIEBSRAD | | | | |
| G501-17-341A | | 1 | | | |
| 22-180 | TELLERRAD&AUSGLEICHGEHAEU | | | | |
| H008-27-180 | | 1 | | | |
| 27-190 | DIFFERENTIAL&TELLERRAD | | | | |
| H008-27-190 | | 1 | | | |
| 27-238 | DICHTRING | | | | |
| F003-27-238A | | 2 | | | |
| | AN (F003-27-238B) | | | | |
| 27-251 | ACHSWELLENRAD | | | | |
| H009-27-251 | | 2 | | | |
| 27-252 | SCHEIBE | | | | |
| H008-27-252 | | 2 | | | |
| 27-255 | AUSGLEICHKEGELRAD | | | | |
| P005-27-255A | | 2 | | | |
| | AN (P005-27-255B) | | | | |
| 27-256 | ANLAUFSCHEIBE | | | | |
| P016-27-256 | | 2 | | | |
| 27-261 | KEGELRADACHSE | | | | |
| H008-27-261 | | 1 | | | |
| 27-305 | KUGELLAGER | | | | |
| H001-27-350 | | 2 | | | |
| 27-401 | DISTANZRING | | | | |
| H001-27-401 | | 1 | | | |
| | T=0.1MM | | | | |
| H001-27-402 | | 1 | | | |
| | T=0.2MM | | | | |
| H001-27-403 | | 1 | | | |
| | T=0.3MM | | | | |
| H001-27-404 | | 1 | | | |
| | T=0.4MM | | | | |
| H001-27-405 | | 1 | | | |

| D-Code | Teilename | MGE | Info. | Supersession | Preis |
|-------------|--------------|-----|-------|--------------|-------|
| Teilenr. | Beschreibung | | | | |
| | T=0.5MM | | | | |
| H001-27-406 | T=0.6MM | 1 | | | |
| H001-27-407 | T=0.7MM | 1 | | | |
| H001-27-408 | T=0.8MM | 1 | | | |
| H001-27-409 | T=0.9MM | 1 | | | |
| H001-27-411 | T=0.12MM | 1 | | | |
| H001-27-412 | T=0.14MM | 1 | | | |
| H001-27-413 | T=0.16MM | 1 | | | |
| H001-27-414 | T=1MM | 1 | | | |
| H001-27-415 | T=1.1MM | 1 | | | |
| H001-27-416 | T=1.2MM | 1 | | | |
| H001-27-417 | T=0.25MM | 1 | | | |
| H001-27-418 | T=0.35MM | 1 | | | |
| H001-27-419 | T=0.45MM | 1 | | | |
| H001-27-422 | | 1 | | | |

| D-Code | Teilename | MGE | Info. | Supersession | Preis |
|-------------|--------------|-----|-------|--------------|-------|
| Teilenr. | Beschreibung | | | | |
| | T=0.65MM | | | | |
| H001-27-423 | T=0.75MM | 1 | | | |
| H001-27-424 | T=0.85MM | 1 | | | |
| H001-27-425 | T=0.95MM | 1 | | | |
| H001-27-426 | T=1.05MM | 1 | | | |
| H001-27-427 | T=1.15MM | 1 | | | |
| H001-27-428 | T=0.55MM | 1 | | | |
| 90-780 | SCHRAUBE | | | | |
| | 9YA09-1401 | | | | |
| 99-222 | STIFT,FEDER | | | | |
| | 99222-0528 | | | | |

Modell/Jahr: XEDOS-9 1998

Abschnitt: 2700 B VORDERESAUSGLEICHSGETRIEBE (AUTOM. GETRIEBE)(2500CC)



(1T11520)

| D-Code | Teilename | MGE | Info. | Supersession | Preis |
|---------|---------------------------|-----|-------|--------------|-------|
| Teilnr. | Beschreibung | | | | |
| 17-341B | TACHOMETERANTRIEBSRAD | | | | |
| | G501-17-341A | 1 | | | |
| 22-180 | TELLERRAD&AUSGLEICHGEHAEU | | | | |
| | G072-27-180 | 1 | | | |
| | - 990601 | | | | |
| | TA*2** -301242 | | | | |
| 27-190 | DIFFERENTIAL&TELLERRAD | | | | |
| | G072-27-190 | 1 | | | |
| 27-235 | TELLERRADSCHRAUBE | | | | |
| | G57Y-27-236A | 10 | | | |
| | D=11.3MM | | | | |
| 27-238 | DICHTRING | | | | |
| | F003-27-238A | 2 | | | |
| | AN (F003-27-238B) | | | | |
| 27-251 | ACHSWELLENRAD | | | | |
| | H001-27-251B | 2 | | | |
| | A (H001-27-251C) | | | | |
| 27-252 | SCHEIBE | | | | |
| | H001-27-252A | 2 | | | |
| 27-255 | AUSGLEICHKEGELRAD | | | | |
| | M025-27-255D | 2 | | | |
| | AN (M025-27-255E) | | | | |
| 27-256 | ANLAUFSCHIEBE | | | | |
| | M025-27-256 | 2 | | | |
| | T=2.0MM | | | | |
| 27-261 | KEGELRADACHSE | | | | |
| | G571-27-261A | 1 | | | |
| 27-262 | ZYLINDERSTIFT | | | | |
| | G001-27-262 | 1 | | | |
| 27-305 | KUGELLAGER | | | | |
| | 0221-27-350 | 2 | | | |
| 27-305J | DISTANZSTUECK | | | | |
| | G001-27-401A | 1 | | | |

| D-Code | Teilename | MGE | Info. | Supersession | Preis |
|--------------|--------------|-----|-------|--------------|-------|
| | Teilenr. | | | | |
| | Beschreibung | | | | |
| | T=0.1MM | | | | |
| G001-27-402A | T=0.2MM | 1 | | | |
| G001-27-407B | T=0.7MM | 1 | | | |
| G001-27-411A | T=0.12MM | 1 | | | |
| G001-27-412A | T=0.14MM | 1 | | | |
| G001-27-413A | T=0.16MM | 1 | | | |
| G001-27-414B | T=1.0MM | 1 | | | |
| G001-27-417 | T=0.18MM | 1 | | | |
| G001-27-418 | T=0.5MM | 1 | | | |